

# TOOL GRINDING

---



WORLD LEADER IN STEADY REST TECHNOLOGY

[www.arobotech.com](http://www.arobotech.com)

## About us

Arobotech Systems is the world leader in providing steady rests for use on grinding machines. Grinding AUTO REST<sup>®</sup> is recognized as the industry standard.

Sales and service are provided from our World Headquarters in Madison Heights, Michigan with additional sales and/or service locations in Germany, Japan, China, India and Korea.



## How it works

### Accuracy

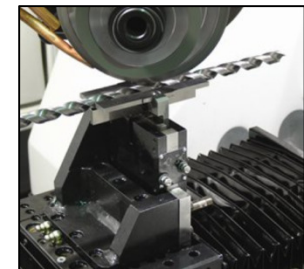
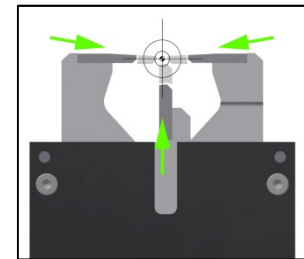
Arobotech Systems offers the original sliding wedge design with unsurpassed clamping accuracy. Each Grinding AUTO REST<sup>®</sup> must repeat within .001mm during testing to pass our rigorous certification criteria.

### Self-Centering

The straight-line motion produced by the sliding wedge design gives Grinding AUTO REST<sup>®</sup> its unique self-centering capability. This feature automatically centers any size within each model's clamping range.

### Follow Down Operation

Models with this feature allow the Grinding AUTO REST<sup>®</sup> to support the part at the point of grind. The dynamic self-centering ability compensates for the changing part size to keep the workpiece on center throughout the grind cycle.



## Benefits of use

### Quality improvements

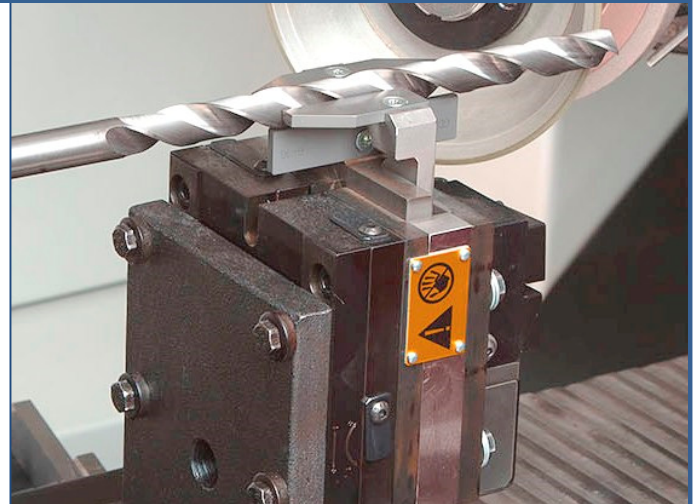
- Improve drill point accuracy
- Improve flute depth and position
- Improve consistency

### Other benefits

- Reduce scrap by reliably holding the workpiece accurately in place every time
- Improve cycle time with more aggressive grinding
- Accurately support workpiece without using a tailstock
- Models available for most machines
- Quick change-over

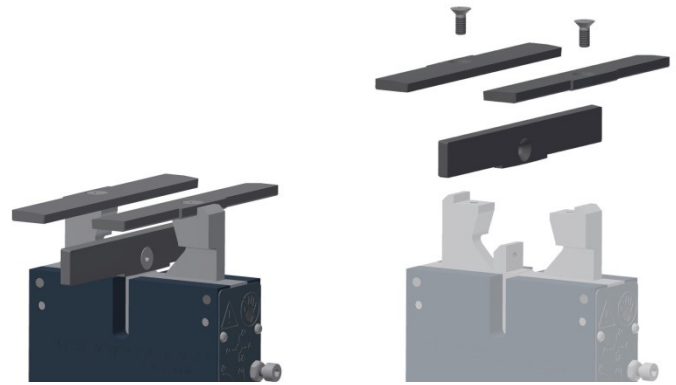
**Content**

Product Overview..... Page 3  
 Tool Grinding Models..... Page 4 - 17  
 AUTO POINT ..... Page 18 - 19  
 Machine Prep ..... Page 20  
 Mounting Bracket ..... Page 21  
 Accessories ..... Page 22  
 Service ..... Page 23  
 Repair ..... Page 24

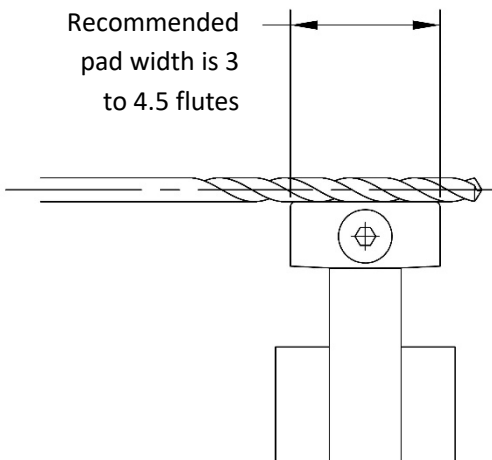


**Tooling**

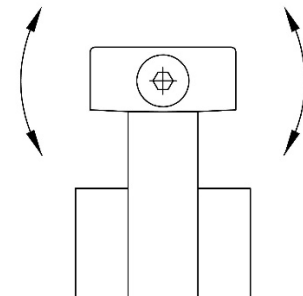
Each Grinding AUTO REST<sup>®</sup> must be fitted with wear pads suitable to the tools being ground. Data sheets show sizes available for each model.



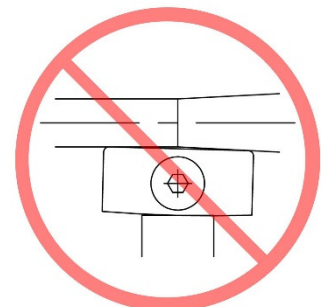
**Wear Pad Selection**



Wear pads can be aligned to match cylindricity or back taper



Never allow pads to span straight and back tapered sections at the same time. This will result in damage to the workpiece, tooling and the Grinding AUTO REST<sup>®</sup>

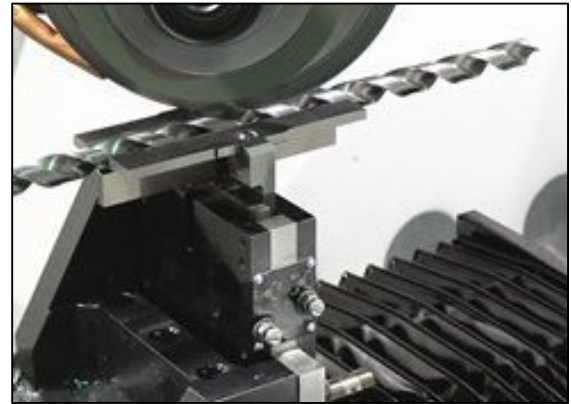


**Product Overview – Tool Grinding Models**

Grinding AUTO REST<sup>®</sup> is an automatic, self-centering, three-point steady rest used to support and stabilize tools during manufacturing. Low profile over-center wear pads hold the part securely while providing wheel clearance for flute grinding. Automatic arm retraction draws the arms into the body when opened for easy part loading.

Tool grinding models are offered with a variety of features to ease installation / alignment and improve performance. Available Features include:

- \* .001mm Repeatability
- \* Arm Retraction for Part Loading
- \* 2-Axis Centerline Adjustment
- \* Position Feedback Sensors
- \* Clamp Size Down to 1mm
- \* Side Mount Cylinder
- \* Hydraulic Operation
- \* Pneumatic Operation



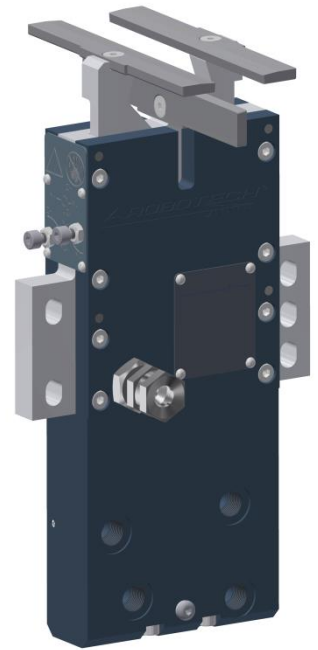
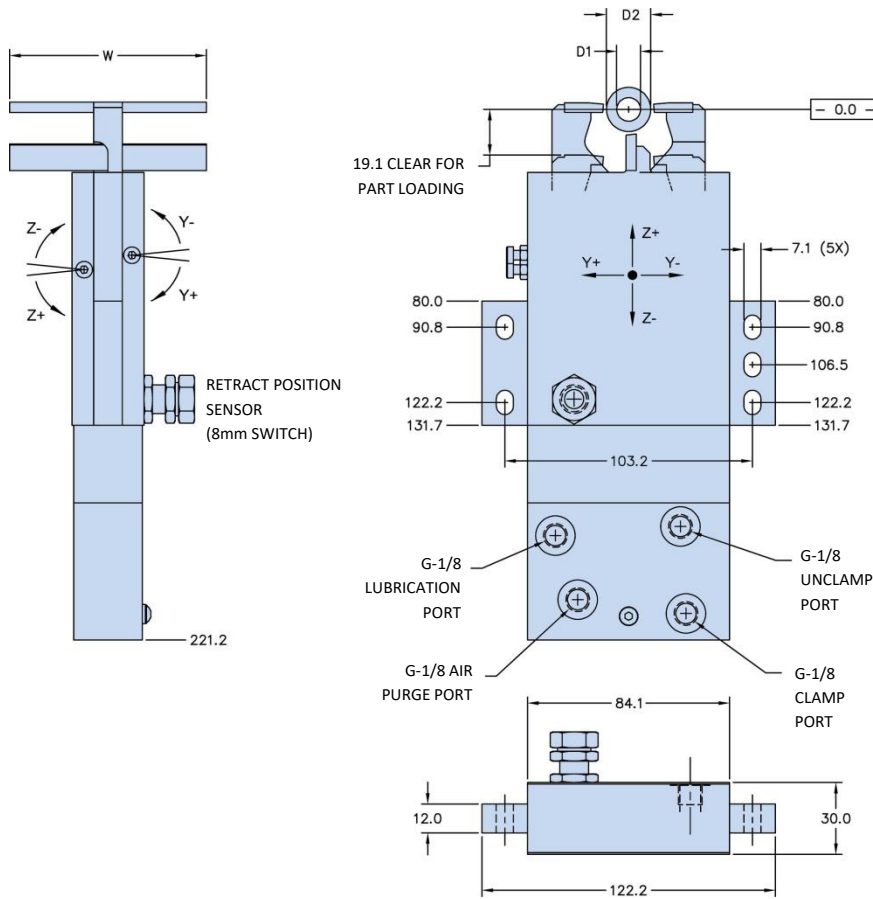
Many models are for specific machine manufacturers. Contact [sales@arobotech.com](mailto:sales@arobotech.com) for assistance identifying the correct model.

We also offer free technical support for all products. Contact [sales@arobotech.com](mailto:sales@arobotech.com) for free assistance with:

- |                       |                  |                  |               |
|-----------------------|------------------|------------------|---------------|
| * Model Selection     | * Modifications  | * 3D Models      | * Accessories |
| * Machine integration | * Special models | * Mounting Bases | * Spare Parts |

# GC32907A

# Grinding AUTO REST®



Pad Set			2	3	4	5	6	7	8	9	10	11
Minimum Clamp Diameter	D1	mm	2	3	3	3	3	3	10	10	10	18.5
Maximum Clamp Diameter	D2	mm	4	10	10	10	10	10	18.5	18.5	18.5	26.5
Width	W	mm	50	10	15	25	45	82	40	70	108	170

Z-Axis Adjustment Range	mm	±0.13
Y-Axis Adjustment Range	mm	±0.08
Piston Area	cm <sup>2</sup>	2.8
Cylinder Stroke	mm	29
Operating Pressure	bar	10 – 27
Maximum Pressure	bar	32
Air Purge Pressure	bar	0.3 – 0.5
Lubrication Volume	cm <sup>3</sup>	0.02 – 0.03
Lubrication Frequency		Working Cycle (or every 6 minutes)
Repeatability	mm	±0.001
Mass	kg	4

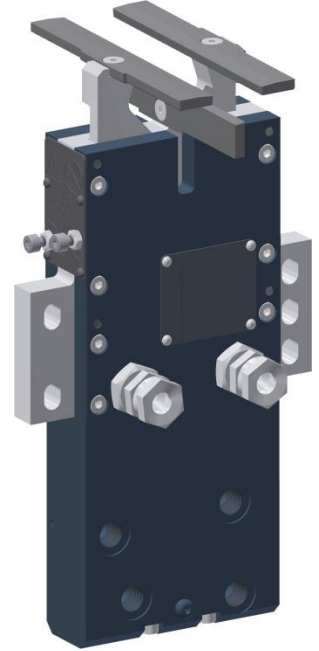
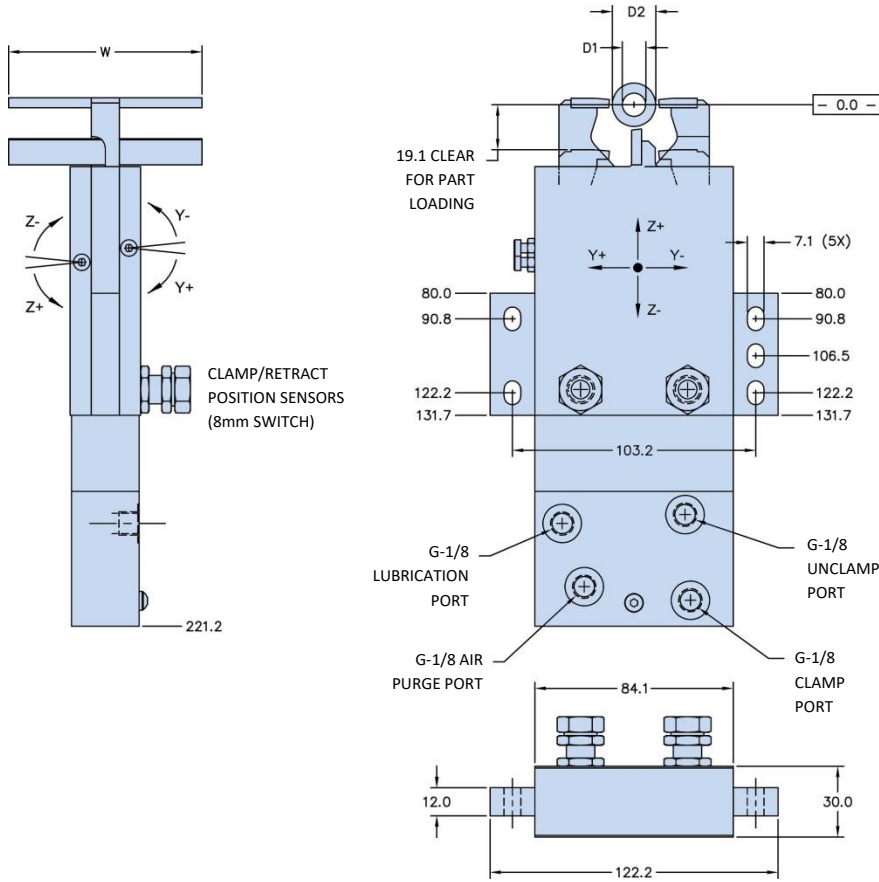
\*\* Contact sales@arobotech.com for pads not listed above

#### Included Features

- \* Arm Retraction For Part Loading
- \* 2-Axis Centerline Adjustment
- \* Retract Position Feedback Sensor
- \* Air Purge Port

#### Items Required To Use

- This Product:
- \* Set of Wear Pads
  - \* Mounting Base



Pad Set			2	3	4	5	6	7	8	9	10	11
Minimum Clamp Diameter	D1	mm	2	3	3	3	3	3	10	10	10	18.5
Maximum Clamp Diameter	D2	mm	4	10	10	10	10	10	18.5	18.5	18.5	26.5
Width	W	mm	50	10	15	25	45	82	40	70	108	170

Z-Axis Adjustment Range	mm	±0.13
Y-Axis Adjustment Range	mm	±0.08
Piston Area	cm <sup>2</sup>	2.8
Cylinder Stroke	mm	29
Operating Pressure	bar	10 – 27
Maximum Pressure	bar	32
Air Purge Pressure	bar	0.3 – 0.5
Lubrication Volume	cm <sup>3</sup>	0.02 – 0.03
Lubrication Frequency		Working Cycle (or every 6 minutes)
Repeatability	mm	±0.001
Mass	kg	4

\*\* Contact sales@arobotech.com for pads not listed above

#### Included Features

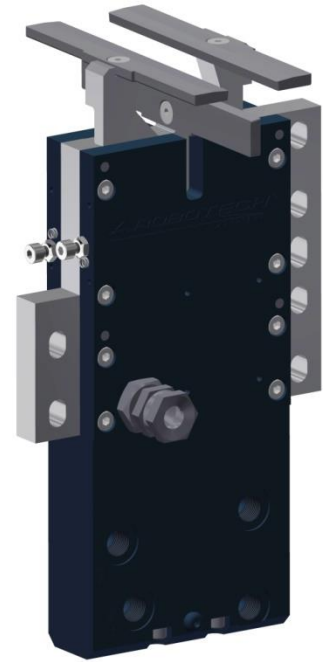
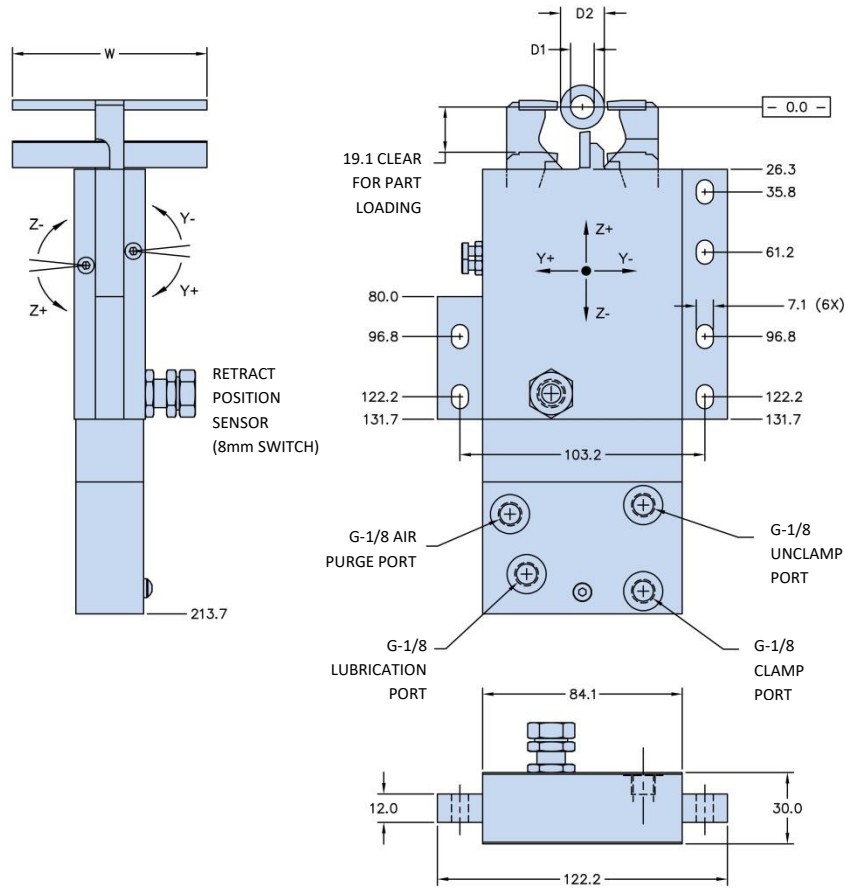
- \* Arm Retraction For Part Loading
- \* 2-Axis Centerline Adjustment
- \* Position Feedback Sensors
- \* Air Purge Port

#### Items Required To Use

- This Product:
- \* Set of Wear Pads
  - \* Mounting Base

# GC29372A

# Grinding AUTO REST®



Pad Set			2	3	4	5	6	7	8	9	10	11
Minimum Clamp Diameter	D1	mm	2	3	3	3	3	3	10	10	10	18.5
Maximum Clamp Diameter	D2	mm	4	10	10	10	10	10	18.5	18.5	18.5	26.5
Width	W	mm	50	10	15	25	45	82	40	70	108	170

Z-Axis Adjustment Range	mm	±0.13
Y-Axis Adjustment Range	mm	±0.08
Piston Area	cm <sup>2</sup>	2.8
Cylinder Stroke	mm	29
Operating Pressure	bar	10 – 27
Maximum Pressure	bar	32
Air Purge Pressure	bar	0.3 – 0.5
Lubrication Volume	cm <sup>3</sup>	0.02 – 0.03
Lubrication Frequency		Working Cycle (or every 6 minutes)
Repeatability	mm	±0.001
Mass	kg	4

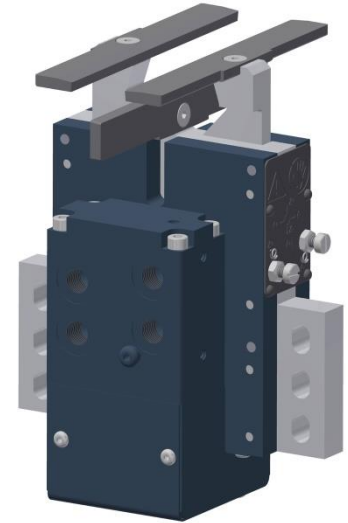
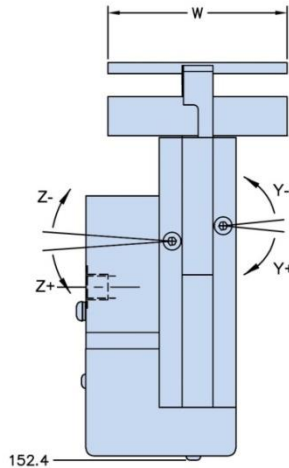
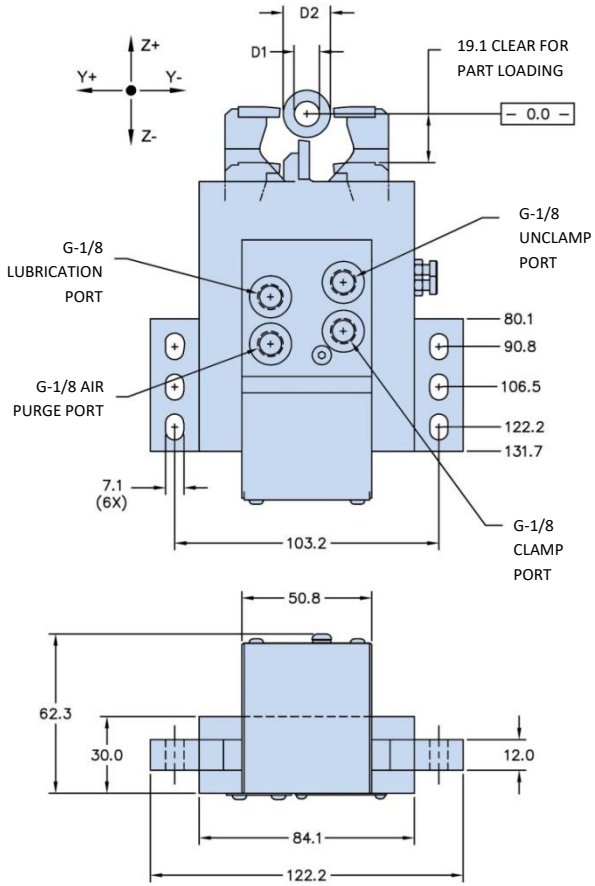
\*\* Contact sales@arobotech.com for pads not listed above

#### Included Features

- \* Arm Retraction For Part Loading
- \* 2-Axis Centerline Adjustment
- \* Retract Position Feedback Sensor
- \* Air Purge Port

#### Items Required To Use

- This Product:
- \* Set of Wear Pads
  - \* Mounting Base



Pad Set			2	3	4	5	6	7	8	9	10	11
Minimum Clamp Diameter	D1	mm	2	3	3	3	3	3	10	10	10	18.5
Maximum Clamp Diameter	D2	mm	4	10	10	10	10	10	18.5	18.5	18.5	26.5
Width	W	mm	50	10	15	25	45	82	40	70	108	170

Z-Axis Adjustment Range	mm	±0.13
Y-Axis Adjustment Range	mm	±0.08
Piston Area	cm <sup>2</sup>	2.4
Cylinder Stroke	mm	29
Operating Pressure	bar	10 – 27
Maximum Pressure	bar	32
Air Purge Pressure	bar	0.3 – 0.5
Lubrication Volume	cm <sup>3</sup>	0.02 – 0.03
Lubrication Frequency		Working Cycle (or every 6 minutes)
Repeatability	mm	±0.001
Mass	kg	4

\*\* Contact sales@arobotech.com for pads not listed above

#### Included Features

- \* Arm Retraction For Part Loading
- \* 2-Axis Centerline Adjustment
- \* Air Purge Port
- \* Side Mount Cylinder

#### Items Required To Use

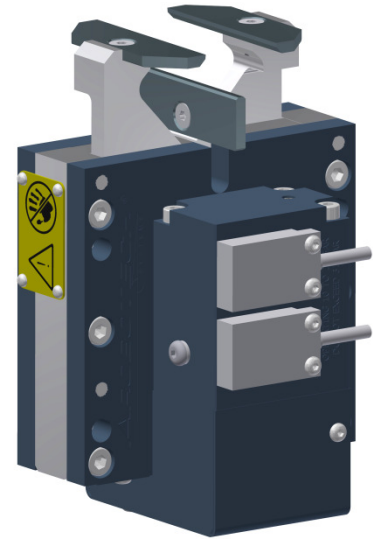
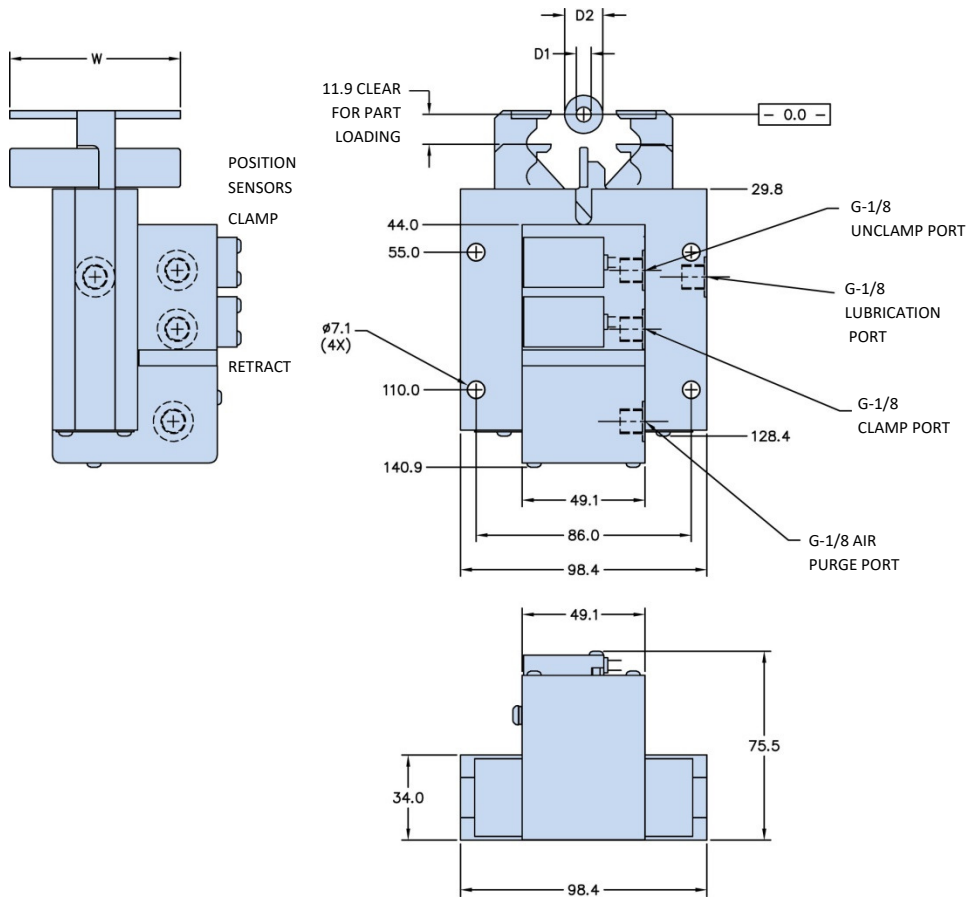
This Product:

- \* Set of Wear Pads
- \* Mounting Base



# GC32790A

# Grinding AUTO REST®



Pad Set			1	2	3
Minimum Clamp Diameter	D1	mm	1	2.35	6
Maximum Clamp Diameter	D2	mm	3	13	16
Width	W	mm	50	55	70

Z-Axis Adjustment Range	mm	N/A
Y-Axis Adjustment Range	mm	N/A
Piston Area	cm <sup>2</sup>	2.4
Cylinder Stroke	mm	25.4
Operating Pressure	bar	10 – 27
Maximum Pressure	bar	32
Air Purge Pressure	bar	0.3 – 0.5
Lubrication Volume	cm <sup>3</sup>	0.02 – 0.03
Lubrication Frequency		Working Cycle (or every 5 minutes)
Repeatability	mm	±0.001
Mass	kg	4

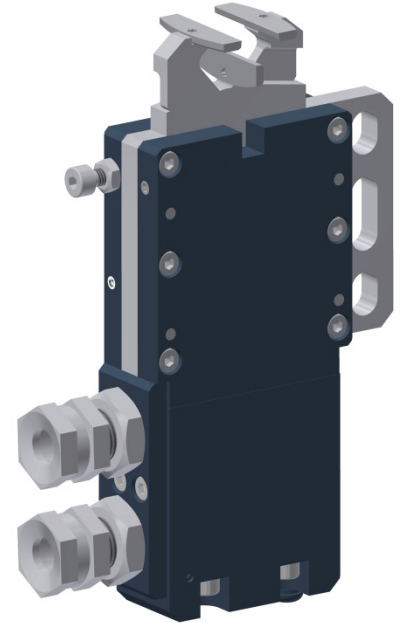
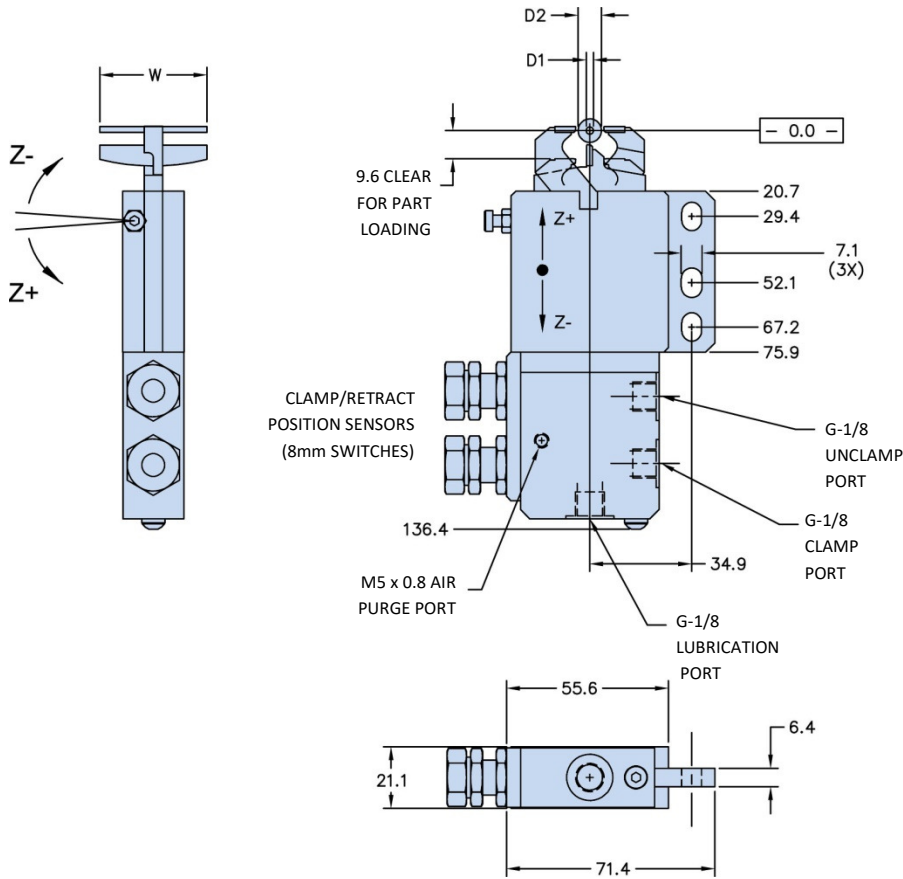
\*\* Contact [sales@arobotech.com](mailto:sales@arobotech.com)  
for pads not listed above

#### Included Features

- \* Arm Retraction For Part Loading
- \* Position Feedback Sensor
- \* Air Purge Port

#### Items Required To Use

- This Product:
- \* Set of Wear Pads
  - \* Mounting Base



Pad Set			1	2	3	4
Minimum Clamp Diameter	D1	mm	1	2.5	2.5	2.5
Maximum Clamp Diameter	D2	mm	3	8	8	8
Width	W	mm	20	15	25	35

Z-Axis Adjustment Range	mm	±0.06
Y-Axis Adjustment Range	mm	N/A
Piston Area	cm <sup>2</sup>	1.9
Cylinder Stroke	mm	15
Operating Pressure	bar	10 – 27
Maximum Pressure	bar	32
Air Purge Pressure	bar	0.3 – 0.5
Lubrication Volume	cm <sup>3</sup>	0.02 – 0.03
Lubrication Frequency		Working Cycle (or every 6 minutes)
Repeatability	mm	±0.001
Mass	kg	1

\*\* Contact sales@arobotech.com for pads not listed above

#### Included Features

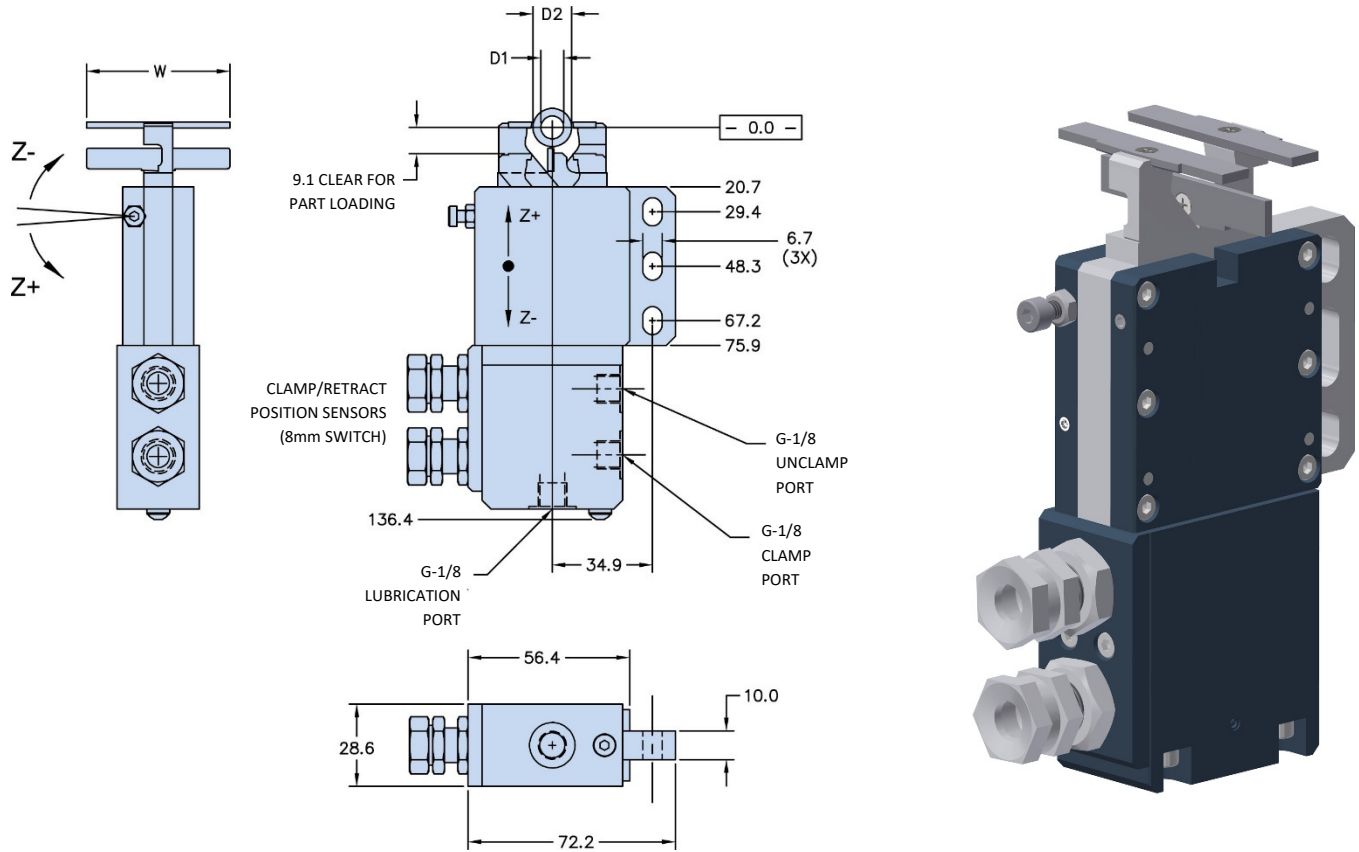
- \* Arm Retraction For Part Loading
- \* Single Axis Centerline Adjustment
- \* Position Feedback Sensors
- \* Air Purge Port

#### Items Required To Use This Product:

- \* Set of Wear Pads
- \* Mounting Base

# GC28601A

# Grinding AUTO REST®



Pad Set			1	2	3	4	5	6	7	8	9	10	11	12
Minimum Clamp Diameter	D1	mm	1	2.5	2.5	2.5	2.5	5	5	5	5	9.5	10.5	10.5
Maximum Clamp Diameter	D2	mm	3	8	8	8	8	10.5	10.5	10.5	10.5	15	16	16
Width	W	mm	30	25	30	40	50	50	60	70	80	70	80	90

Z-Axis Adjustment Range	mm	±0.056
Y-Axis Adjustment Range	mm	N/A
Piston Area	cm <sup>2</sup>	2.8
Cylinder Stroke	mm	15
Operating Pressure	bar	10 – 27
Maximum Pressure	bar	32
Air Purge Pressure	bar	N/A
Lubrication Volume	cm <sup>3</sup>	0.02 – 0.03
Lubrication Frequency		Working Cycle (or every 6 minutes)
Repeatability	mm	±0.001
Mass	kg	1.5

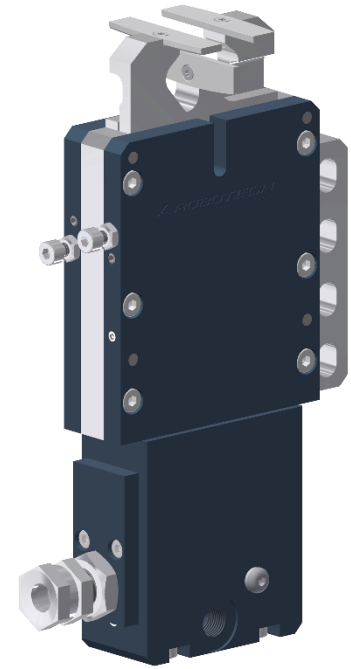
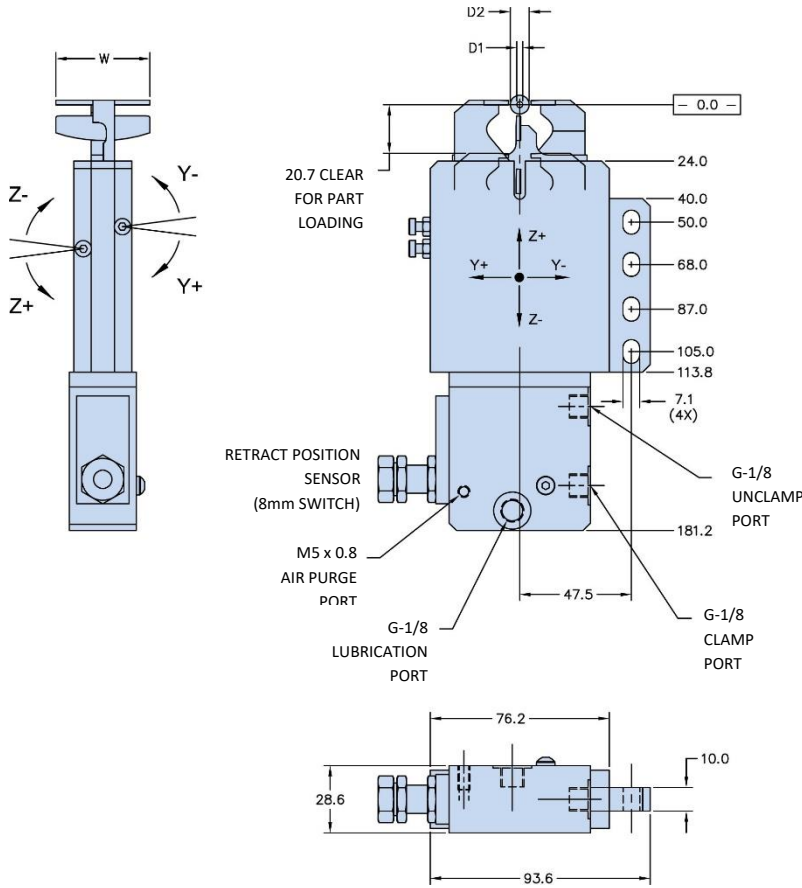
#### Included Features

- \* Arm Retraction For Part Loading
- \* Z-Axis Centerline Adjustment
- \* Position Feedback Sensors

#### Items Required To Use

This Product:

- \* Set of Wear Pads
- \* Mounting Base



Pad Set			2	3	4	5	6	7	8	9	10	11	12
Minimum Clamp Diameter	D1	mm	2.5	2.5	2.5	2.5	5	5	5	5	9.5	10.5	10.5
Maximum Clamp Diameter	D2	mm	8	8	8	8	10.5	10.5	10.5	10.5	15	16	16
Width	W	mm	25	30	40	50	50	60	70	80	70	80	90

Z-Axis Adjustment Range	mm	±0.12
Y-Axis Adjustment Range	mm	±0.04
Piston Area	cm <sup>2</sup>	1.9
Cylinder Stroke	mm	26.4
Operating Pressure	bar	10 – 27
Maximum Pressure	bar	32
Air Purge Pressure	bar	0.3 – 0.5
Lubrication Volume	cm <sup>3</sup>	0.02 – 0.03
Lubrication Frequency		Working Cycle (or every 6 minutes)
Repeatability	mm	±0.001
Mass	kg	2.5

\*\* Contact sales@arobotech.com for pads not listed above

#### Included Features

- \* Arm Retraction For Part Loading
- \* 2-Axis Centerline Adjustment
- \* Retract Position Feedback Sensor
- \* Air Purge Port

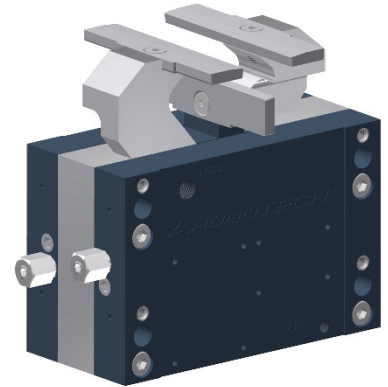
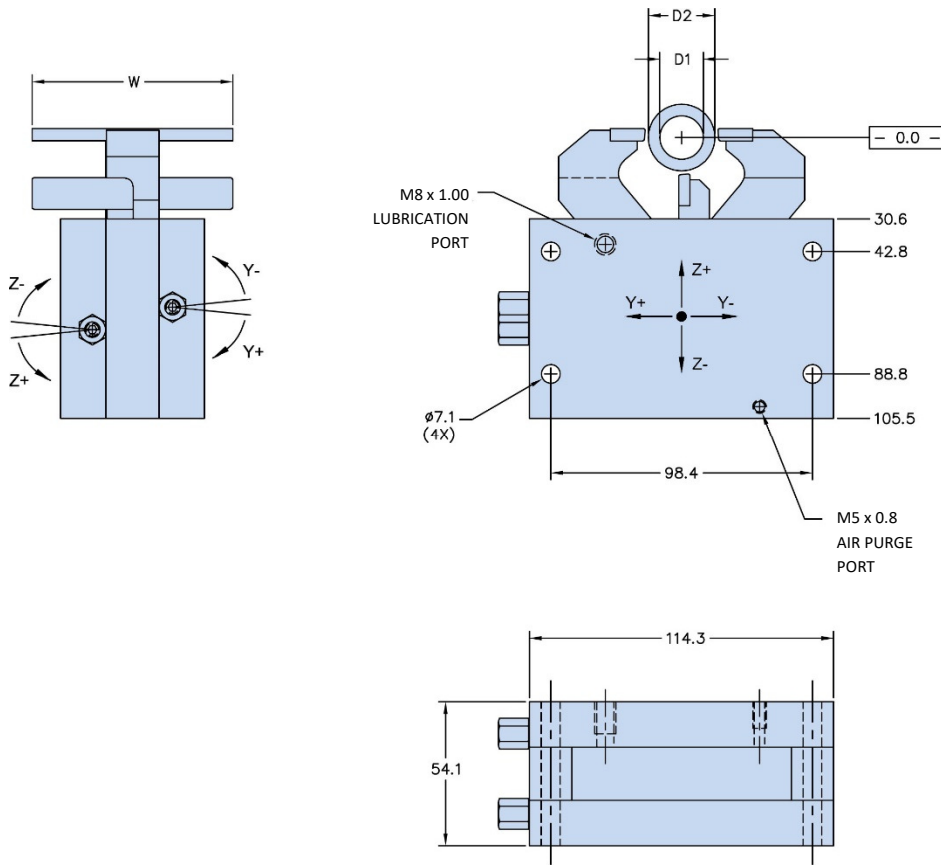
#### Items Required To Use

This Product:

- \* Set of Wear Pads
- \* Mounting Base

# GC19722A

# Grinding AUTO REST®



Pad Set			1	2	3	4	5	6	7	8	9	10	11
Minimum Clamp Diameter	D1	mm	1	2	3	3	3	3	3	10	10	10	18.5
Maximum Clamp Diameter	D2	mm	2	4	10	10	10	10	10	18.5	18.5	18.5	26.5
Width	W	mm	50	50	10	15	25	45	82	40	70	108	170

Z-Axis Adjustment Range	mm	±0.13
Y-Axis Adjustment Range	mm	±0.08
Piston Area	cm <sup>2</sup>	N/A
Cylinder Stroke	mm	N/A
Operating Pressure	bar	N/A
Maximum Pressure	bar	N/A
Air Purge Pressure	bar	0.3 – 0.5
Lubrication Volume	cm <sup>3</sup>	0.02 – 0.03
Lubrication Frequency		Working Cycle (or every 6 minutes)
Repeatability	mm	±0.001
Mass	kg	4.6

\*\* Contact sales@arobotech.com for pads not listed above

#### Included Features

- \* 2-Axis Centerline Adjustment
- \* Air Purge Port

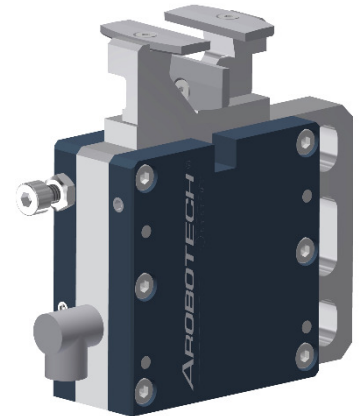
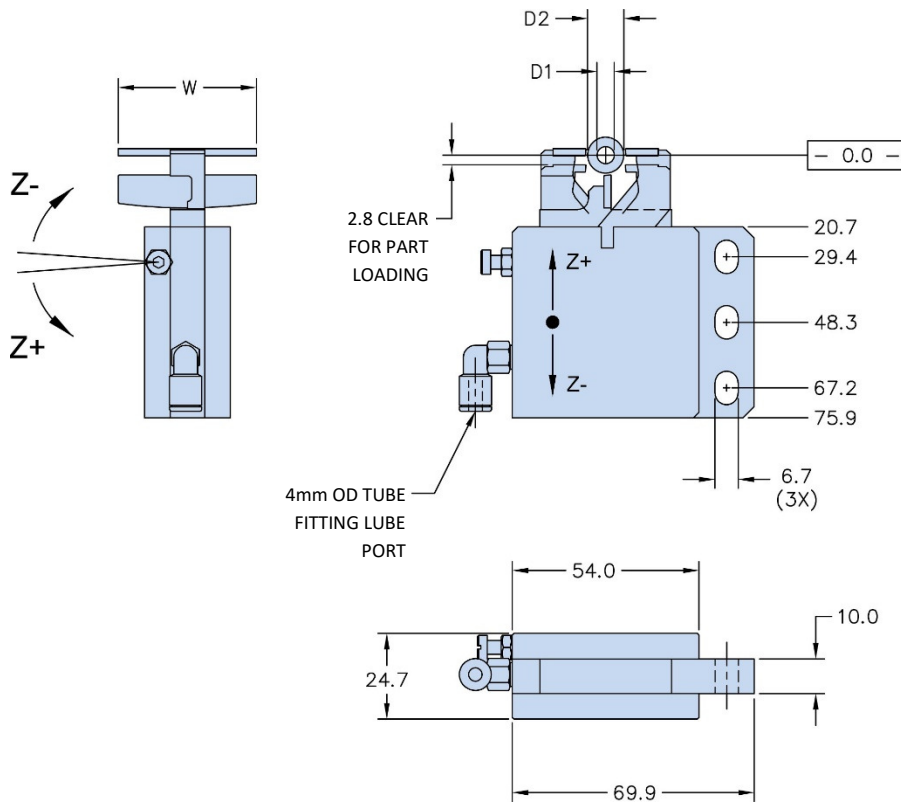
#### Items Required To Use

This Product:

- \* Set of Wear Pads
- \* Mounting Base
- \* Drive Mechanism

#### Note

**This Model Requires OEM Supplied Drive Mechanism**



Pad Set			1	2	3	4	5	6	7	8	9	10	11	12
Minimum Clamp Diameter	D1	mm	1	2.5	2.5	2.5	2.5	5	5	5	5	9.5	10.5	10.5
Maximum Clamp Diameter	D2	mm	3	8	8	8	8	10.5	10.5	10.5	10.5	15	16	16
Width	W	mm	30	25	30	40	50	50	60	70	80	70	80	90

Z-Axis Adjustment Range	mm	±0.056
Y-Axis Adjustment Range	mm	N/A
Piston Area	cm2	N/A
Cylinder Stroke	mm	N/A
Operating Pressure	bar	N/A
Maximum Pressure	bar	N/A
Air Purge Pressure	bar	N/A
Lubrication Volume	cm3	0.02 – 0.03
Lubrication Frequency		Working Cycle (or every 6 minutes)
Repeatability	mm	±0.001
Mass	kg	1.5

\*\* Contact sales@arobotech.com for pads not listed above

#### Included Features

- \* Arm Retraction For Part Loading
- \* Z-Axis Centerline Adjustment

#### Items Required To Use

This Product:

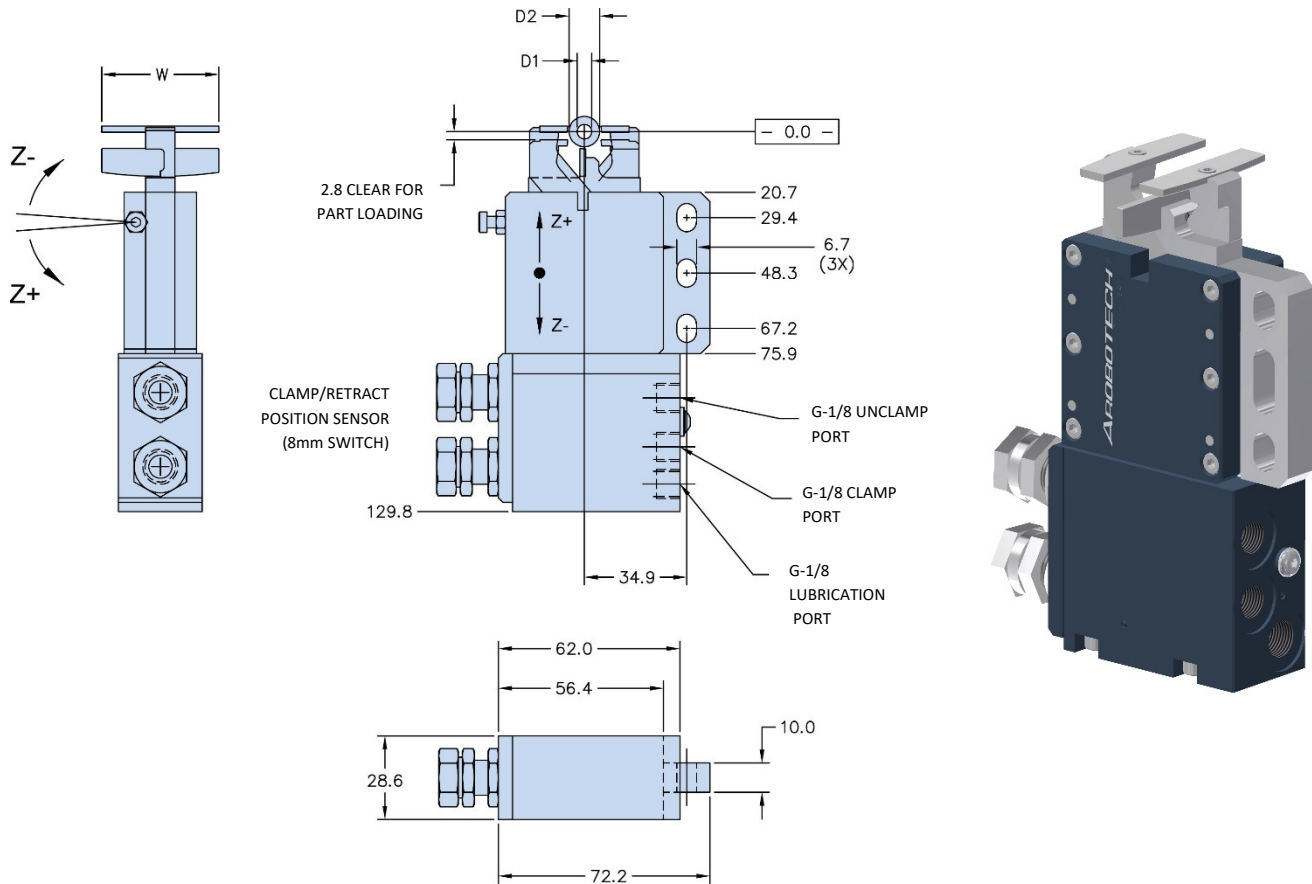
- \* Set of Wear Pads
- \* Mounting Base
- \* Drive Mechanism

#### Note

**This Model Requires OEM Supplied Drive Mechanism**

# GC32676A

# Grinding AUTO REST®



Pad Set			1	2	3	4	5	6	7	8	9	10	11	12
Minimum Clamp Diameter	D1	mm	1	2.5	2.5	2.5	2.5	5	5	5	5	9.5	10.5	10.5
Maximum Clamp Diameter	D2	mm	3	8	8	8	8	10.5	10.5	10.5	10.5	15	16	16
Width	W	mm	30	25	30	40	50	50	60	70	80	70	80	90

Z-Axis Adjustment Range	mm	±0.056
Y-Axis Adjustment Range	mm	N/A
Piston Area	cm <sup>2</sup>	2.8
Cylinder Stroke	mm	8.6
Operating Pressure	bar	10 – 27
Maximum Pressure	bar	32
Air Purge Pressure	bar	N/A
Lubrication Volume	cm <sup>3</sup>	0.02 – 0.03
Lubrication Frequency		Working Cycle (or every 6 minutes)
Repeatability	mm	±0.001
Mass	kg	1.5

\*\* Contact sales@arobotech.com for pads not listed above

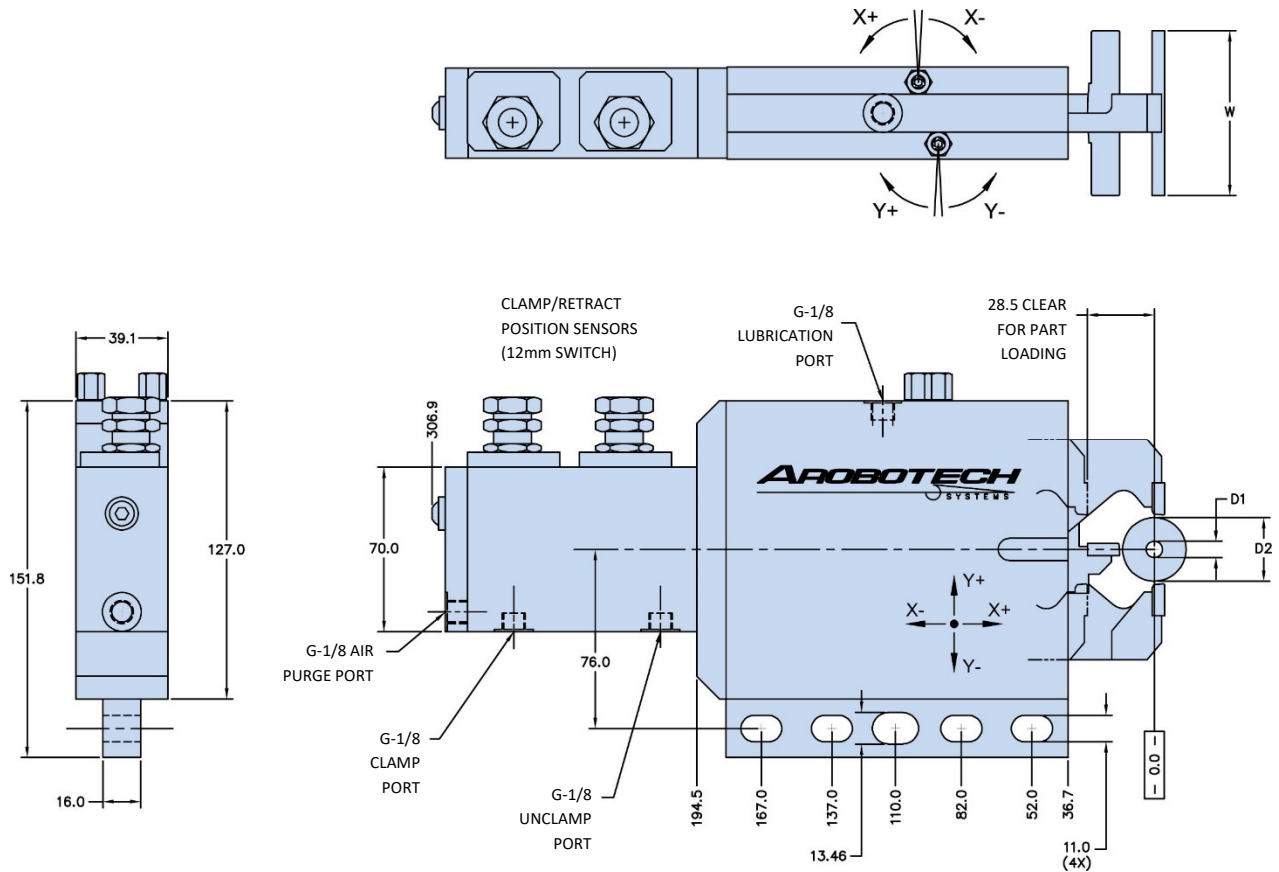
#### Included Features

- \* Arm Retraction For Part Loading
- \* Z-Axis Centerline Adjustment
- \* Position Feedback Sensors

#### Items Required To Use

This Product:

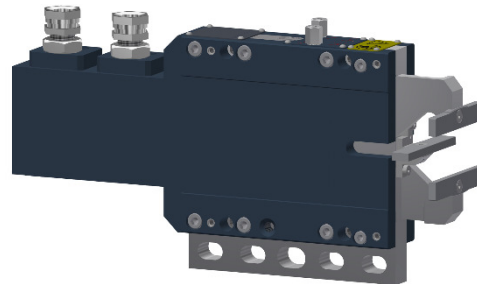
- \* Set of Wear Pads
- \* Mounting Base



Pad Set			1	2	3	4	5	6
Minimum Clamp Diameter	D1	mm	3	3	3	7	7	7
Maximum Clamp Diameter	D2	mm	10	10	10	27	27	27
Width	W	mm	15	25	40	20	50	70

\*\* Contact sales@arobotech.com for pads not listed

Z-Axis Adjustment Range	mm	±0.22
Y-Axis Adjustment Range	mm	±0.07
Piston Area	cm <sup>2</sup>	6.12
Cylinder Stroke	mm	60
Operating Pressure	bar	15 – 30
Maximum Pressure	bar	45
Air Purge Pressure	bar	0.3 – 0.5
Lubrication Volume	cm <sup>3</sup>	0.03 – 0.04
Lubrication Frequency		Working Cycle (or every 6 minutes)
Repeatability	mm	±0.001
Mass	kg	5



#### Included Features

- \* Arm Retraction For Part Loading
- \* 2-Axis Centerline Adjustment
- \* Position Feedback Sensors
- \* Air Purge Port

#### Items Required To Use

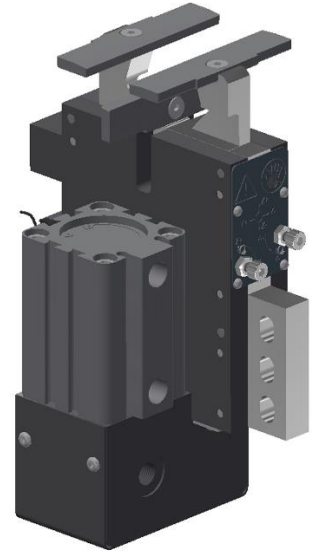
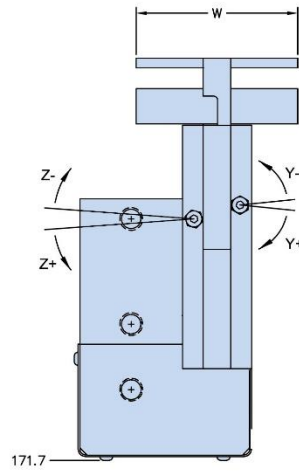
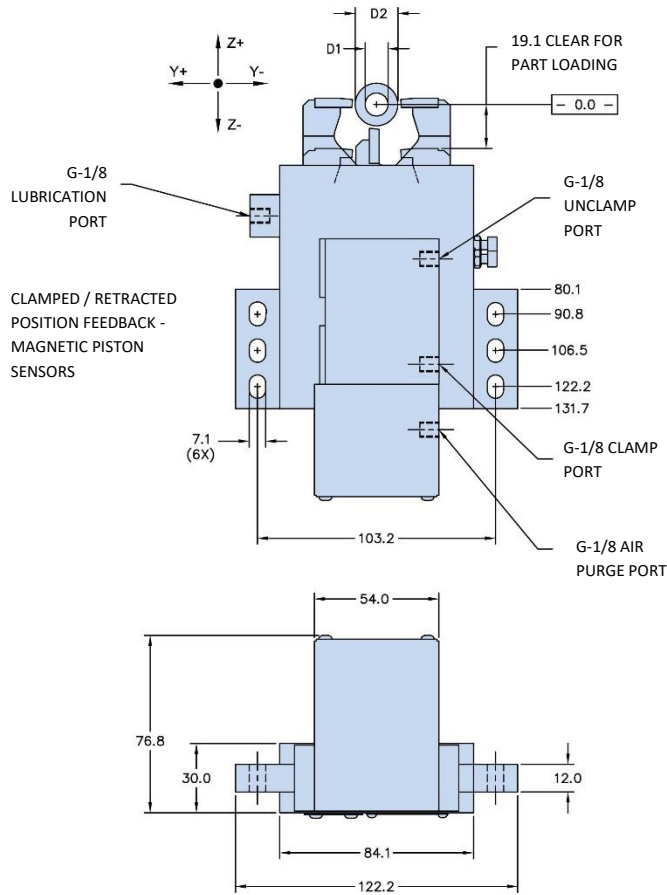
This Product:

- \* Set of Wear Pads
- \* Mounting Base



# GC03972A

# Grinding AUTO REST®



Tool Grinding Pad Set			2	3	4	5	6	7	8	9	10	11
Minimum Clamp Diameter	D1	mm	2	3	3	3	3	3	10	10	10	18.5
Maximum Clamp Diameter	D2	mm	4	10	10	10	10	10	18.5	18.5	18.5	26.5
Width	W	mm	50	10	15	25	45	82	40	70	108	170

OD Grinding Pad Set			21	22	23	24
Minimum Clamp Diameter	D1	mm	2	3	10	18.5
Maximum Clamp Diameter	D2	mm	4	10	18.5	26.5

\*\* Contact sales@arobotech.com for pads not listed above

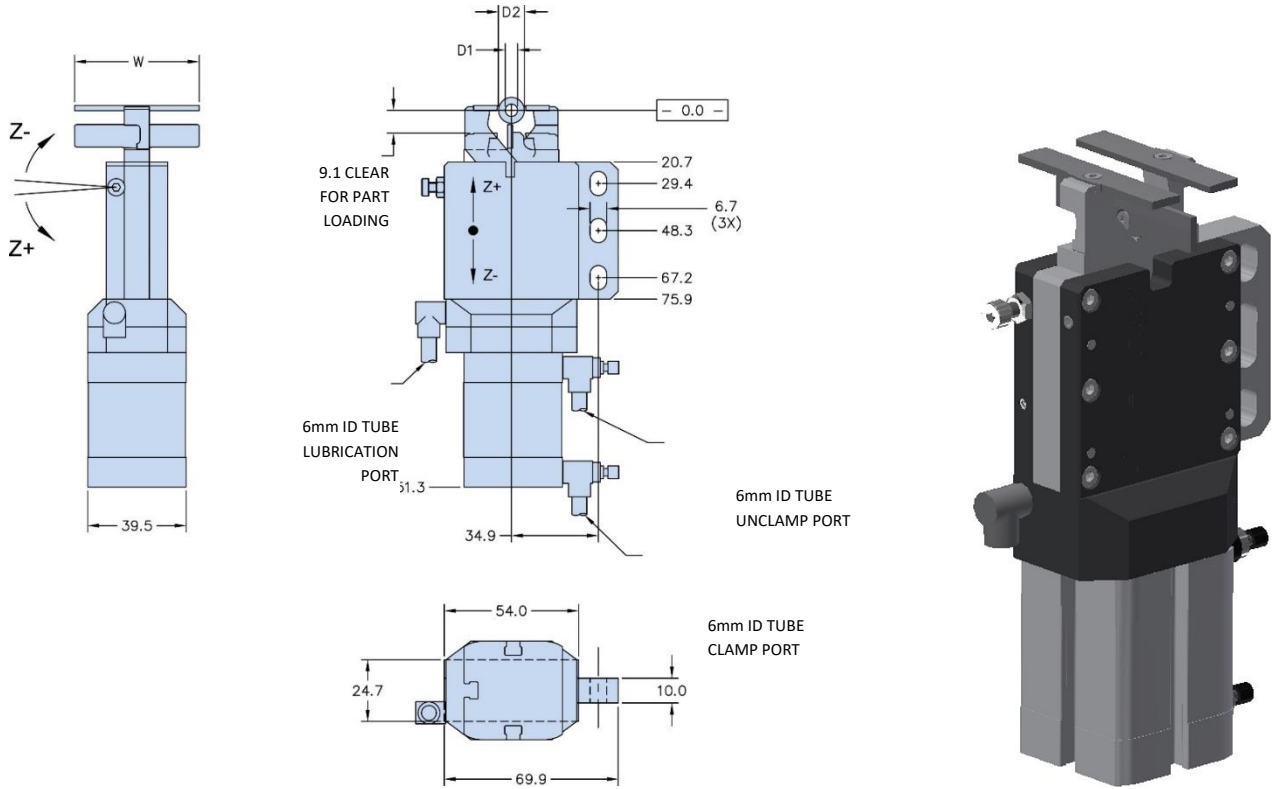
Z-Axis Adjustment Range	mm	±0.13
Y-Axis Adjustment Range	mm	±0.08
Piston Area	cm <sup>2</sup>	2.8
Cylinder Stroke	mm	29
Operating Pressure	bar	10 – 27
Maximum Pressure	bar	32
Air Purge Pressure	bar	0.3 – 0.5
Lubrication Volume	cm <sup>3</sup>	0.02 – 0.03
Lubrication Frequency		Working Cycle (or every 6 minutes)
Repeatability	mm	±0.001
Mass	kg	4

#### Included Features

- \* Arm Retraction For Part Loading
- \* 2-Axis Centerline Adjustment
- \* Position Feedback Sensors
- \* Air Purge Port

#### Items Required To Use

- This Product:
- \* Set of Wear Pads
  - \* Mounting Base



Tool Grinding Pad Set			1	2	3	4	5	6	7	8	9	10	11	12
Minimum Clamp Diameter	D1	mm	1	2.5	2.5	2.5	2.5	5	5	5	5	9.5	10.5	10.5
Maximum Clamp Diameter	D2	mm	3	8	8	8	8	10.5	10.5	10.5	10.5	15	16	16
Width	W	mm	30	25	30	40	50	50	60	70	80	70	80	90

OD Grinding Pad Set			21	22	23
Minimum Clamp Diameter	D1	mm	2.8	5	9.5
Maximum Clamp Diameter	D2	mm	8	10.5	15

\*\* Contact [sales@arobotech.com](mailto:sales@arobotech.com) for pads not listed above

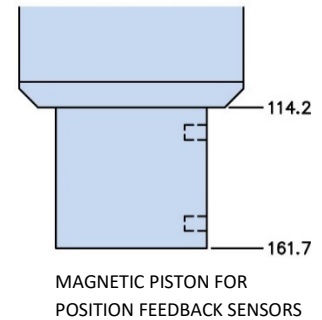
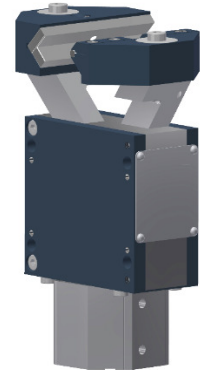
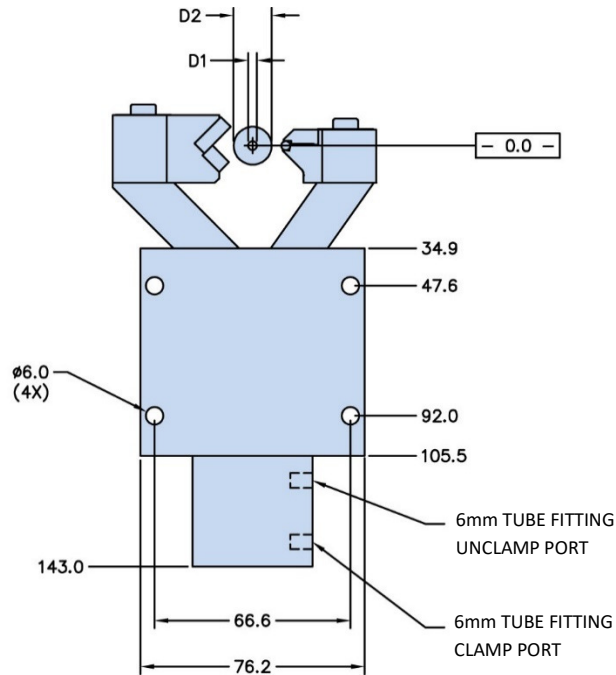
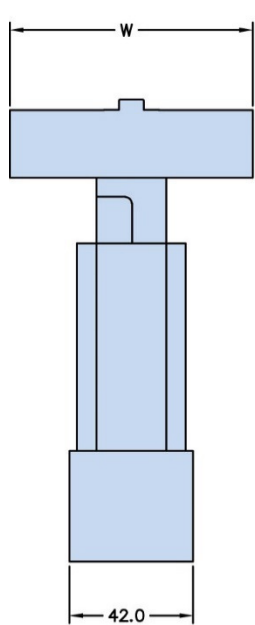
Z-Axis Adjustment Range	mm	±0.056
Y-Axis Adjustment Range	mm	N/A
Piston Area	cm <sup>2</sup>	4.9
Cylinder Stroke	mm	15
Operating Pressure	bar	5 – 10
Maximum Pressure	bar	10
Air Purge Pressure	bar	N/A
Lubrication Volume	cm <sup>3</sup>	0.02 – 0.03
Lubrication Frequency		Working Cycle (or every 6 minutes)
Repeatability	mm	±0.003
Mass	kg	1

#### Included Features

- \* Air Operation
- \* Arm Retraction For Part Loading
- \* Z-Axis Centerline Adjustment

#### Items Required To Use This Product:

- \* Set of Wear Pads
- \* Mounting Base



Pad Set			1	2	3	4
Minimum Clamp Diameter	D1	mm	3	3	3	3
Maximum Clamp Diameter	D2	mm	13	13	13	13
Width	W	mm	25	33	63.5	82.6

Z-Axis Adjustment Range	mm	N/A
Y-Axis Adjustment Range	mm	N/A
Piston Area	cm <sup>2</sup>	4.8
Cylinder Stroke	mm	12.7
Operating Pressure (Air)	bar	4 - 8
Maximum Pressure (Air)	bar	8
Air Purge Pressure	bar	N/A
Lubrication Volume	cm <sup>3</sup>	N/A
Lubrication Frequency		N/A
Repeatability	mm	±0.003
Mass	kg	2

\*\* Contact sales@arobotech.com for pads not listed above

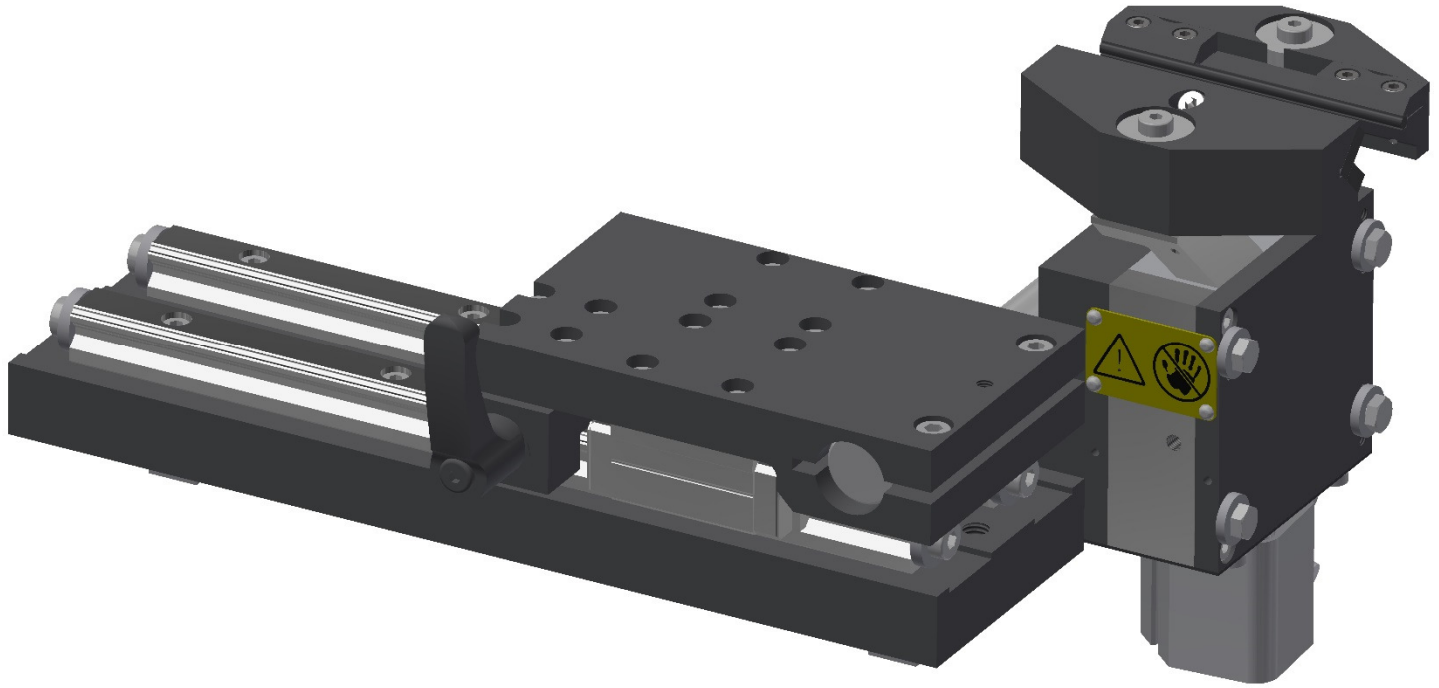
**Included Features:**

- \* Automatic Centering
- \* Pivoting Tooling for Back Taper Alignment
- \* Renewable Wear Pads for Long Service Life
- \* Lubricated With Ambient Oil  
(no separate lubrication required)
- \* Air Operated

**Note**

**This product typically used with Arobotech Quick-Change base for fastest change-over time. Contact us with machine information for details.**

# AUTO POINT™ | DP-090 Mounting



## **Model DP-090 is offered with a Quick-Change mounting base for fast change-over**

Our Quick-Change mounting base features 2 linear guideways aligned to wheelhead axial movement. This allows lateral re-positioning of the DP-090 without re-alignment. The manual locking handle allows DP-090 to be firmly locked in place after each move.

The Quick-Change mounting base can be adapted to most machine tables. Contact [sales@arobotech.com](mailto:sales@arobotech.com) with your machine details for more information.

# Machine Prep

# Grinding AUTO REST®

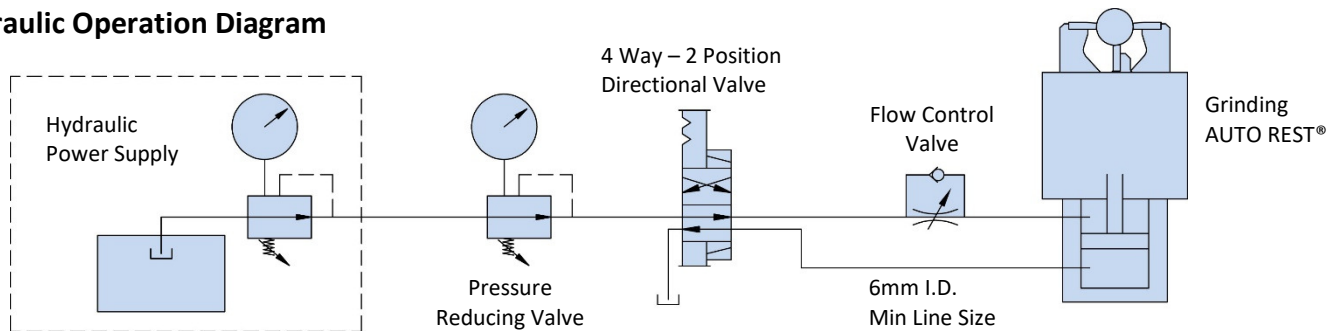


Warning! Grinding AUTO REST®s are hydraulically operated. Care must be taken at all times to avoid injury or damage to equipment



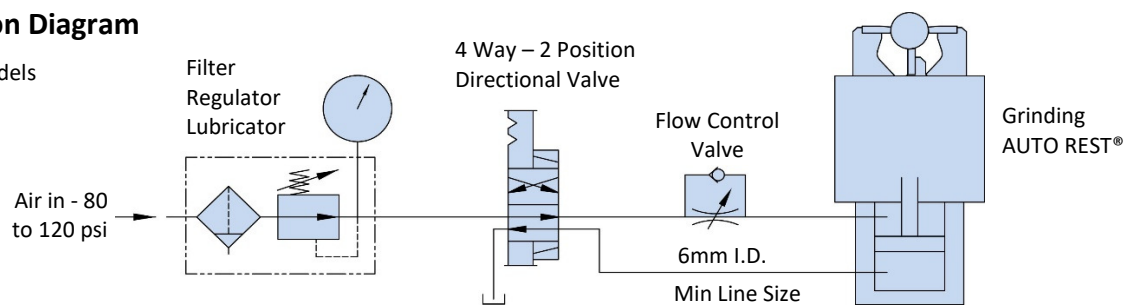
Under no circumstances will this document take precedent over the machine builder operating and safety guidelines

## Hydraulic Operation Diagram



## Pneumatic Operation Diagram

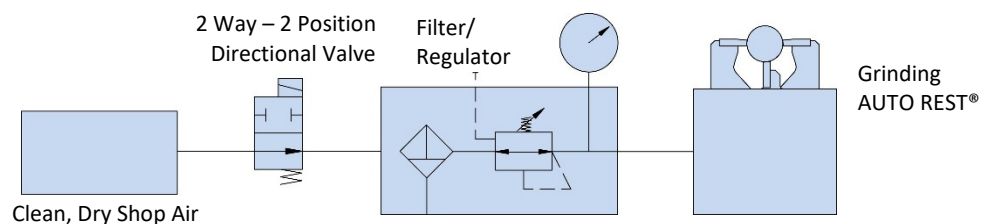
Only use air to operate models designated "Air Operation"



## Air Purge

Grinding AUTO REST® uses Air Purge port to pressurize inside the body for maximum service life

5 to 7 psi recommended pressure



## Hydraulic Operation

- Recommended Hydraulic Power Supply = 3GPM (11 LPM) @ 500 psi (34 bar) minimum. See operator's manual for specific model recommended operating pressure. Hydraulic pump must maintain pressure to the rest when clamped and unclamped
- 4 way - 2 position solenoid valve with a pressure reducing valve.
- Flow control valve - 1 second minimum recommended clamping time.
- 6mm (.25") minimum hydraulic line size.

## Air Operation

- Recommended Air Pressure = 6 to 8.3 Bar (90 to 120 psi). Pressure should be isolated and remain constant to avoid changes in clamping pressure.
- 4 way - 2 position solenoid valve with a pressure reducing valve.
- Flow control valve - 1 second minimum recommended clamping time.
- 6mm (.25") minimum hydraulic line size.

## Electrical

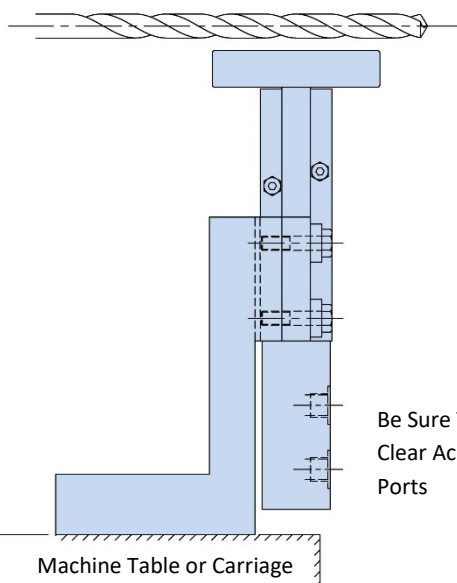
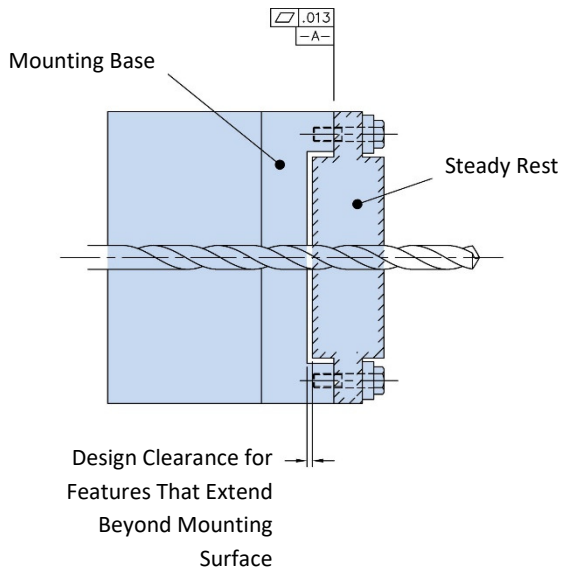
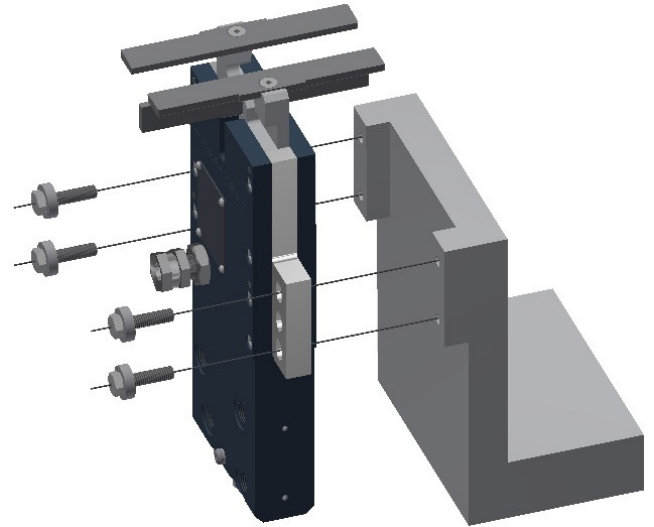
- Interface to machine control is the customer's responsibility. Arobotech does not supply a machine control interfaces
- Position sensors are available for most models - see engineering files for specific sensor type and size
- Machine door should be prepared so that the steady rest can be operated in manual model with the door open. Always follow valid safety regulations.

## Lubrication

Machine must be capable of delivering lubrication oil to each Grinding AUTO REST® every 6 minutes or each working cycle (whichever is more frequent. See engineering files for specific model volume recommendations.

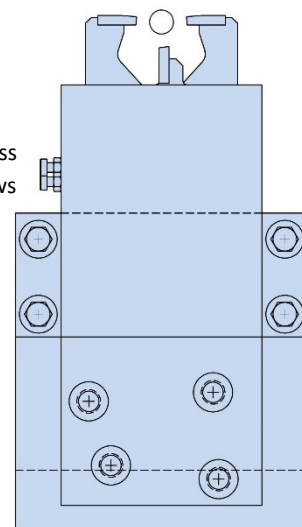
Take care to keep mounting surfaces flat and square as shown for best performance

See data sheet or engineering files for mounting dimensions of each model



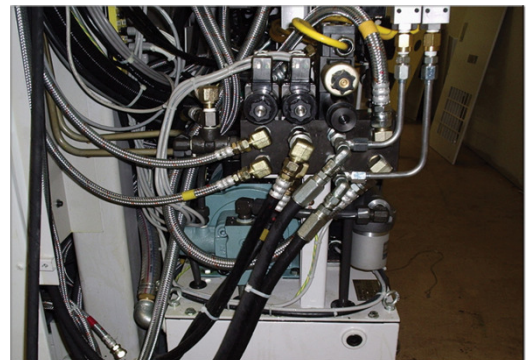
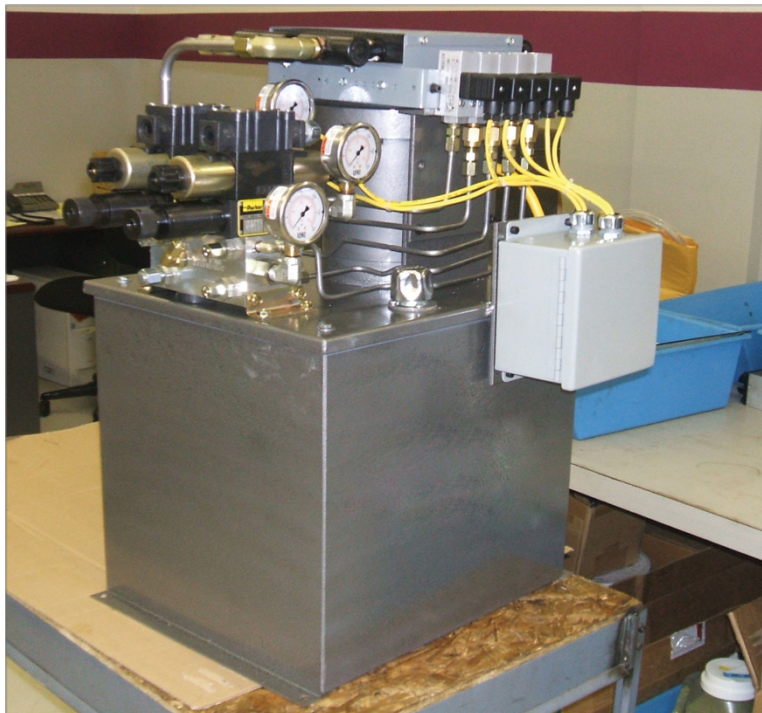
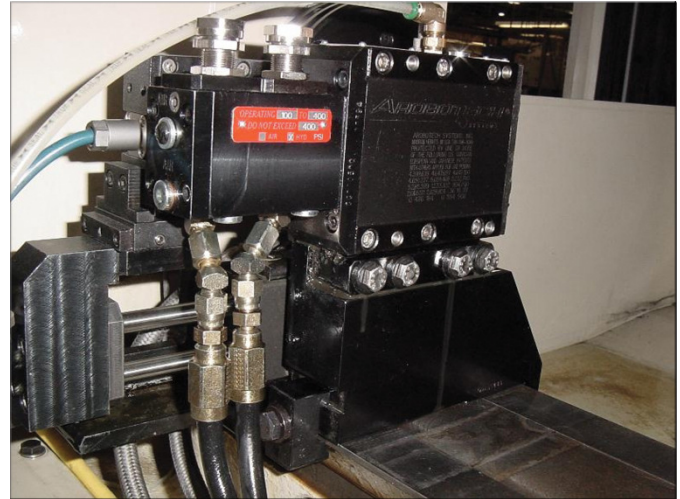
Be Sure There is Clear Access to the Adjustment Screws

Be Sure There is Clear Access to All Ports



Arobotech offers a full complement of accessories for use with our Grinding AUTO REST® products

- Mounting Bracket
- Hydraulic Power Supply
- Lubricator
- Valve Package
- Pre-Position Vee Cradles
- Master Set Up Bar
- Alignment Gage
- Specialty Tooling



## Our commitment

Arobotech Systems is a full service company. Our relationship with the customer does not end at the point of sale and delivery. When you purchase an Arobotech product you gain not only a superior workholding device, but also many years of experience with workholding solutions.

Arobotech offers full support of all of our products for their entire service life.



## Available Services

### Installation

Arobotech has experienced personnel to assist with Grinding AUTO REST® and accessories

### Training

Our staff offers experienced on-site training for your engineering and production staff

### Troubleshooting

We bring many years of experience to troubleshooting your Grinding AUTO REST® and grinding process. Contact [service@arobotech.com](mailto:service@arobotech.com) for support. On site troubleshooting is available.

### Repair and Reconditioning

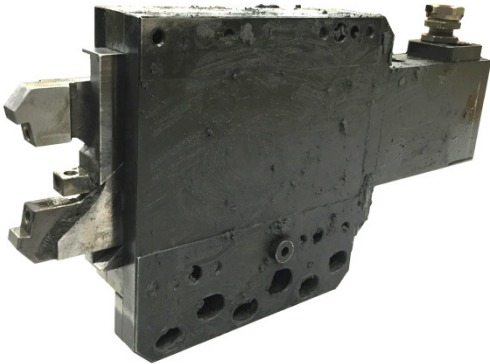
[service@arobotech.com](mailto:service@arobotech.com)



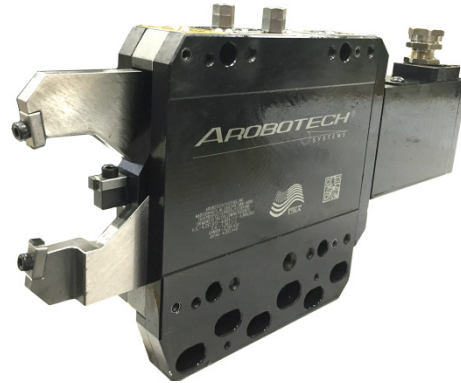
## Repair and Reconditioning Service

Arobotech offers complete repair and reconditioning service. Damaged or worn units can be returned for a free-of-charge performance / condition evaluation

**Old Unit**



**Repaired / Reconditioned Unit**



### Return for Evaluation

All Returns Require an RMA Number - Contact us at to request an RMA number  
[www.arobotech.com/service/](http://www.arobotech.com/service/)  
+001 248-588-9080  
[service@arobotech.com](mailto:service@arobotech.com)

Authorized products may be returned to Arobotech for a performance / condition evaluation at no charge with the following conditions:

- Include RMA number on outside of the shipping container and all shipping documents
- Label "Return for Evaluation"
- Include a description of the symptom or failure that prompted the return (as described on the RMA)
- Include contact information (as listed on the RMA)
- Packaging should be sufficient to prevent damage during transit
- Customer is responsible for all shipping charges

Ship subject unit(s) to:  
**Arobotech Systems**  
1524 E. Avis Drive  
Madison Heights, MI 48071  
USA

Shipments from outside the United states also must have noted on all paperwork: **"These goods were manufactured in the United States and are being returned for repair"**

Shipping terms must be DDP

Contact us with any questions:  
+001 248-588-9080  
[sales@arobotech.com](mailto:sales@arobotech.com)

Notify us at [sales@arobotech.com](mailto:sales@arobotech.com) when shipment is made so we can track and prepare our evaluation team

### Evaluation Report

Our team will perform a full evaluation and issue a report (including cost to repair / recondition). Please allow 2 weeks for the evaluation report after receipt at our facility.

Once the evaluation report is complete, we require one of the following actions within the 90 day evaluation period:

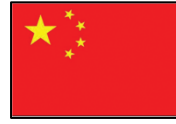
- Purchase order to begin repairs
- Return unit as is with no repair
- Scrap at our facility (written direction required)



Arobotech Systems, Inc.  
World Headquarters  
1524 E. Avis Drive  
Madison Heights, MI 48071  
USA  
+001 (248) 588-9080  
+001 (248) 588-9370 (fax)  
Sales@arobotech.com  
Service@arobotech.com



GSN Schleiftechnik GmbH  
Im Moosfeld 5  
73495 Stöttlen  
Germany  
+49 (0)7964 – 33111 790  
info@arobotech.de



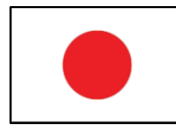
AMT Shanghai Technology  
and Service Center (AMT STC)  
No.8 Building, No.81 MeiYue Road  
China (Shanghai) Pilot F.T.Z.  
Shanghai, 200131, P.R. China  
+86 21 5868 2809 - 109  
+86 21 5868 2803 (fax)  
Info@arobotech.cn



P R Sales Corporation Pvt. Ltd.  
Flat 3. Kedar Apartments  
Plot 48, Mayur Colony, Kothrud  
Pune, Maharashtra 411038  
India  
Tel. +91-20-25437591  
Fax +91-20-25445255  
info@prsales.in



Seong Eun Tech.  
294-1, Sangbuk-ro,  
Sangbuk-myeon, Ulju-gun,  
Ulsan 689-821 Korea  
+82 052 256 5758  
+82 052 256 5760 (fax)  
Info@arobotech.co.kr



Mitsubishi Corporation Technos  
Dai Nagoya Building, 3-28-12,  
Meieki Nakamura-ku  
Nagoya City, Aichi Prefecture  
450-6418 Japan  
+81-52-565-2641  
+81-52-565-1989 (fax)  
e100\_arobotech@mmts.co.jp

## WORLD LEADER IN STEADY REST TECHNOLOGY

[www.arobotech.com](http://www.arobotech.com)