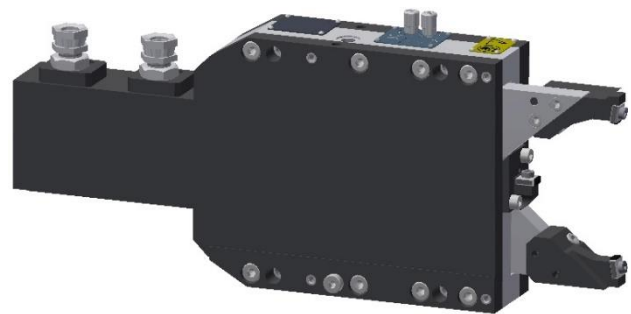


Nest Set			1	2	3	4
Minimum Clamp Diameter	D1	mm	10	30	50	70
Maximum Clamp Diameter	D2	mm	30	50	70	90

X-Axis Adjustment per Screw Rotation	mm	0.004
X-Axis Adjustment Total	mm	±0.20
Y-Axis Adjustment per Screw Rotation	mm	0.004
Y-Axis Adjustment Total	mm	±0.20
Piston Area	cm ²	11.4
Cylinder Stroke	mm	76
Operating Pressure	bar	15 – 30
Maximum Pressure	bar	45
Air Purge Pressure	bar	0.3 – 0.5
Lubrication Volume	cm ³	0.05 – 0.10
Lubrication Frequency		Working Cycle (or every 6 minutes)
Repeatability	mm	±0.001
Mass	kg	18
Max Lifting Capacity	Kg	78



Included Features

- * Arm Retraction for Part Loading
- * Fixed or Follow Down Operation
- * 2-Axis Centerline Adjustment
- * 90° = 0.001mm Adjustment
- * Visible Zero Adjustment Screws
- * Position Feedback Sensors

Items Required To Use This Product:

- * Set of Nests
- * Set of Wear Pads
- * Mounting Base