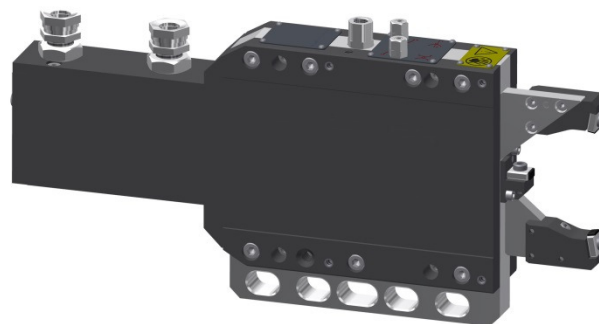


Nest Set			1	2	3
Minimum Clamp Diameter	D1	mm	15	30	45
Maximum Clamp Diameter	D2	mm	30	45	60

X-Axis Adjustment Range	mm	±0.22
Y-Axis Adjustment Range	mm	±0.07
Piston Area	cm <sup>2</sup>	6.4
Cylinder Stroke	mm	64.5
Operating Pressure	bar	15 – 30
Maximum Pressure	bar	45
Air Purge Pressure	bar	0.3 – 0.5
Lubrication Volume	cm <sup>3</sup>	0.04 – 0.06
Lubrication Frequency		Working Cycle (or every 6 minutes)
Repeatability	mm	±0.001
Mass	kg	9



#### Included Features:

- \* Arm Retraction For Part Loading
- \* Fixed or Follow Down Operation
- \* 2-Axis Centerline Adjustment
- \* Position Feedback Sensors
- \* Visible Zero Adjustment Screws
- \* Lower Mounting Rail

#### Items Required To Use This Product:

- \* Set of Nests
- \* Set of Wear Pads
- \* Mounting Base