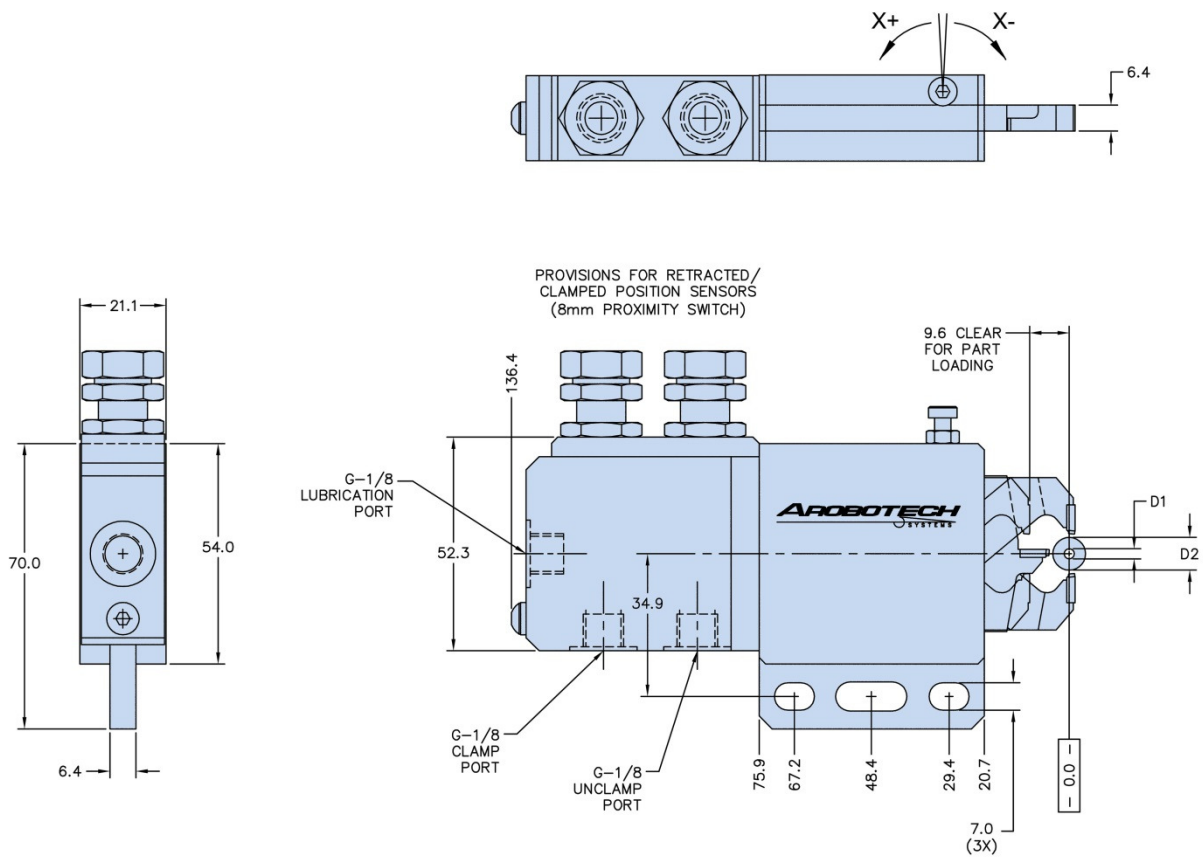


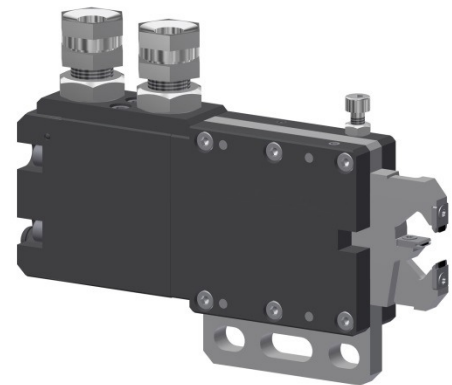
GR-081

Grinding AUTO REST®



Pad Set			1	2
Minimum Clamp Diameter	D1	mm	1	2.5
Maximum Clamp Diameter	D2	mm	3	8

X-Axis Adjustment Range	mm	±0.06
Y-Axis Adjustment Range	mm	N/A
Piston Area	cm ²	1.98
Cylinder Stroke	mm	15
Operating Pressure	bar	10 – 27
Maximum Pressure	bar	32
Air Purge Pressure	bar	N/A
Lubrication Volume	cm ³	0.02 – 0.03
Lubrication Frequency		Working Cycle (or every 6 minutes)
Repeatability	mm	±0.001
Mass	kg	1



Included Features:

- * Arm Retraction For Part Loading
- * Fixed or Follow Down Operation
- * X-Axis Centerline Adjustment
- * Position Feedback Sensors
- * Lower Mounting Rail

Items Required To Use This Product:

- * Set of Wear Pads
- * Mounting Base