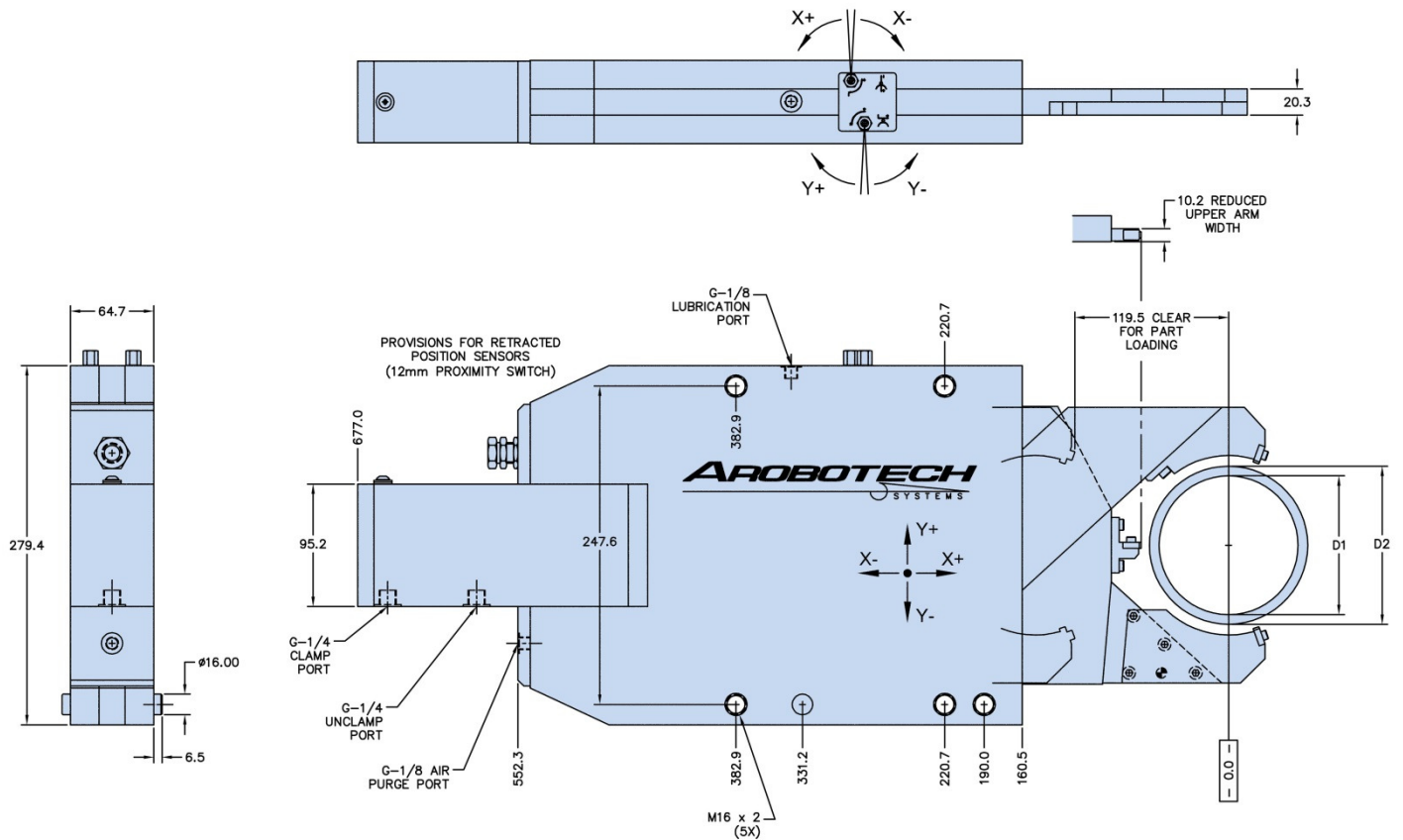


GC31275A

Grinding AUTO REST®



Nest Set			1	2	3	4	5
Minimum Clamp Diameter	D1	mm	75	85	95	105	115
Maximum Clamp Diameter	D2	mm	85	95	105	115	125

X-Axis Adjustment Range	mm	±0.22
Y-Axis Adjustment Range	mm	±0.07
Piston Area	cm ²	20.3
Cylinder Stroke	mm	162
Operating Pressure	bar	10 – 17
Maximum Pressure	bar	21
Air Purge Pressure	bar	0.3 – 0.5
Lubrication Volume	cm ³	0.15 – 0.20
Lubrication Frequency		Working Cycle (or every 6 minutes)
Repeatability	mm	±0.001
Mass	kg	54



Included Features:

- * Arm Retraction For Part Loading
- * Extended Reach for C'Wt Clearance
- * Fixed or Follow Down Operation
- * Upper Arm Gage Clearance
- * 2-Axis Centerline Adjustment
- * Position Feedback Sensors
- * Visible Zero Adjustment Screws

Items Required To Use This Product:

- * Set(s) of Nests
- * Set of Wear Pads
- * Mounting Base